

MANUFACTURERS OF OPTOLITE CONTRAST ENHANCEMENT FILTERS
SHIELDED WINDOWS – INSTRUMENT GLASSES
POLARISING FILTERS

Vikuiti™ Linear Polarising Filters

Instrument Plastics Limited is an Authorised Distributor for 3M Polarising filters and supplies custommade polarising and Optolite™ non-polarising filters designed to optimise the readability of electronic displays by enhancing contrast and reducing glare. Specialist linear polarising products and wave retarders are also available for applications such as stress analysis, 3-D and photography.

Instrument Plastics Limited are professionals in the industry and offer customers:

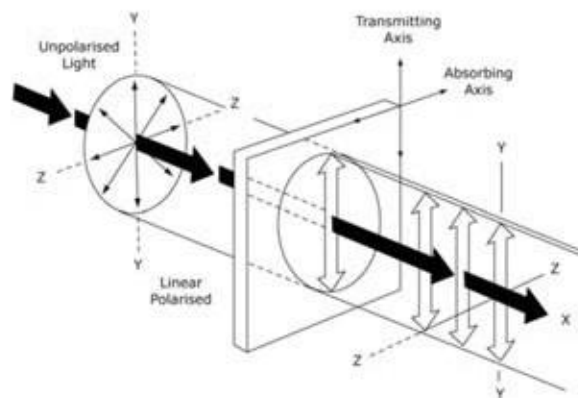
- production to customer specifications
- short delivery times
- competitive prices
- wide range of materials
- small samples of materials on request

Proven expertise in CNC machining, drilling, routing, silk screen printing, engraving and forming are additional services available from **Instrument Plastics Limited**.

Existing customers include major companies in aerospace, defence, scientific, medical, electronics, electronic component, stress analysis and photographic industries.

Linear Polarisers

Synthetic Linear polarising filters (polarisers) possess special properties for selectively absorbing light vibrations in certain planes. When unpolarised light, which is a complex mixture of vibrations lying in all possible directions transverse to the line of travel, is passed through a linear polariser its vibrations become confined to a single linear plane and the light is considered "polarised". This linearly polarised light can be modified to suppress unwanted reflections and to eliminate glare for a variety of applications.



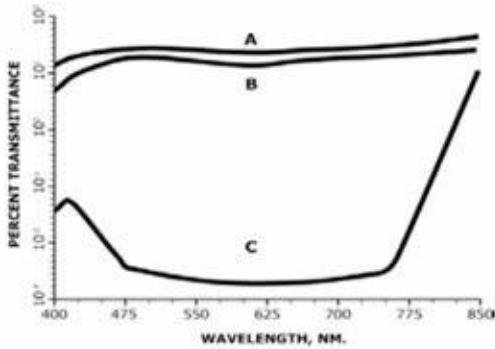
For Further information Contact Sales@instrumentplastics.co.uk

Tel: +44 (0) 1628 770018

Fax: +44 (0) 1628 773299

MANUFACTURERS OF OPTOLITE CONTRAST ENHANCEMENT FILTERS
SHIELDED WINDOWS – INSTRUMENT GLASSES
POLARISING FILTERS

Polaroid Linear Polariser Transmission

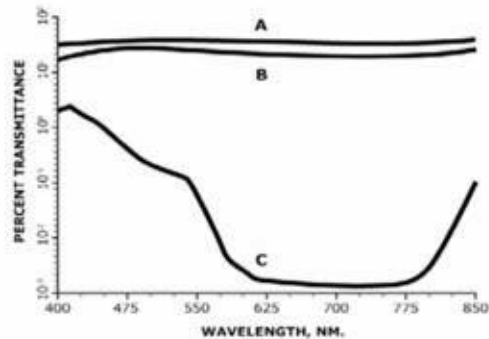


Polariser: HN32

Type: Neutral linear polariser

Features: Represents the best balance between transmission and extinction for general use. Extinction transmission is about 0.005%.

Typical Applications: Variable density filter systems, photoelastic stress analysis and other application where light modulation is necessary.

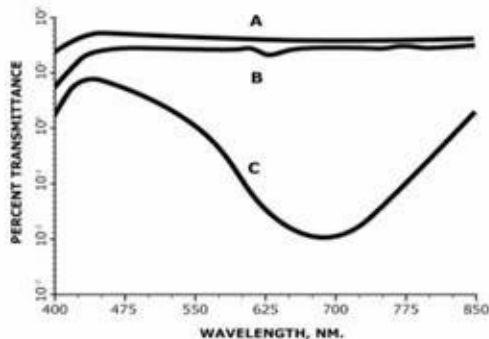


Polariser: HN38

Type: Neutral linear polariser

Features: Exceptionally free from colour distortion.

Typical Applications: Camera filters, studio light filters, variable colour filter systems, other applications where high transmission is required along with a medium extinction density.



Polariser: HN42

Type: Neutral linear polariser

Features: High transmission.

Typical Applications: Photographic, spectrographic and other applications where insertion losses must be kept to a minimum.

Graph Legend: A = Single Polariser; B = Two Polarisers, Axes Parallel; C = Two Polarisers, Axes Crossed



Instrument Plastics Limited has a policy of continual improvement of products and so reserves the right to change the product specification without notice.



For Further information Contact Sales@instrumentplastics.co.uk

Tel: +44 (0) 1628 770018

Fax: +44 (0) 1628 773299